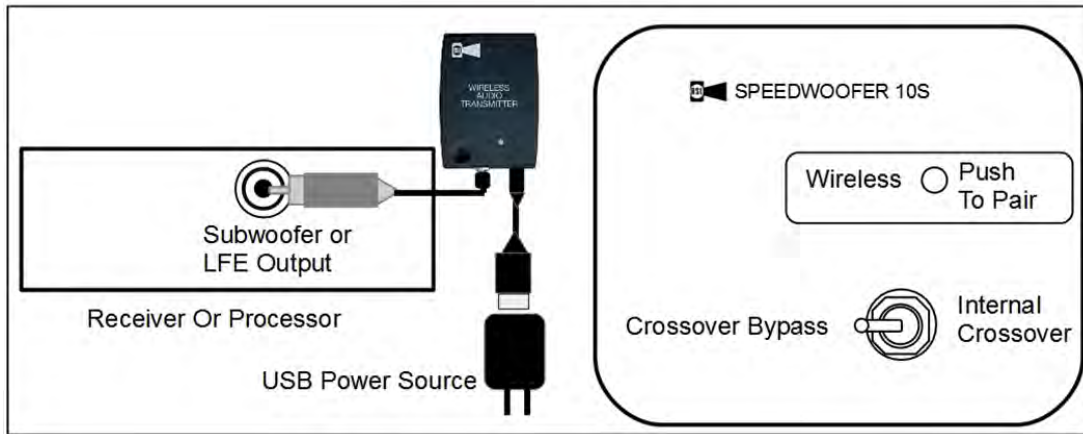


NEW AT3 WIRELESS PAIRING INSTRUCTIONS



The new AT3 wireless transmitter features the following upgrades:

- Extended range (up to 50ft)
- Reduced latency (less than 20mS)
- Connect to up to 4 Speedwoofers simultaneously
- Enhanced AFCS (automatic adaptive frequency channel selection)

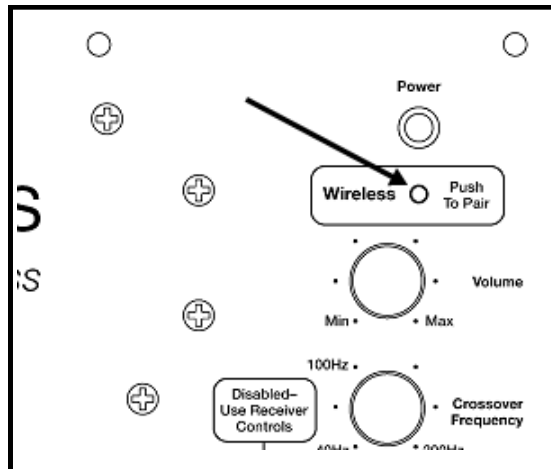
AT3 Wireless Transmitter Pairing Instructions

1. Connect the transmitter to a USB power source.
2. Plug in the Speedwoofer and turn on the power.
3. The light on the transmitter will be flashing slowly. Push and hold the transmitter's pairing button until it flashes more rapidly. Then release the button.
4. While it is flashing rapidly, press and hold the pairing button on the Speedwoofer for at least 3 seconds and release. The blue transmitter light should display solid blue.
5. Your Speedwoofer is now paired. If the transmitter light begins to flash slowly, repeat the above procedure. If pairing fails, temporarily place transmitter closer to the Speedwoofer and away from other Wi-Fi devices. Repeat the above procedure.

Please Note: Solid objects such as walls, cabinet doors, etc. can block the wireless signal. Its signal can also be affected by interference from wireless networks, large objects and other electronic devices.



Optional Wireless Transmitter



Subwoofer Wireless Pairing Button